

Automatic Swing Door System

ASSA ABLOY Balance

ASSA ABLOY

ASSA ABLOY Entrance Systems

The global leader in door opening solutions



ASSA ABLOY Balance is very effective in windy conditions, combining the benefits of a swing and sliding door system. A perfect solution for narrow passages or in corridors.

Perfect for narrow passage ways

ASSA ABLOY automatic balance door has incorporated the advantages of both conventional swing doors and normal sliding doors. Constraints of safety and reliability with many door installations mean that the balance door will often be the only natural solution. When space for swinging door leaves are limited, ASSA ABLOY Balance is the perfect choice.

Technical specifications

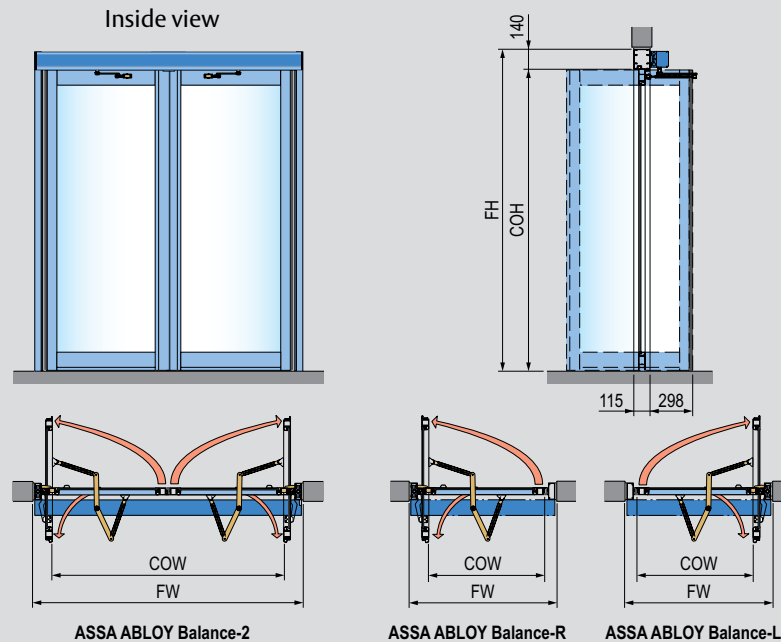
Power supply	100-240 V AC +10/-15%, 50/60Hz
Ambient temperature	-20°C to +45°C
Class of protection	IP20 - to be installed internally or externally with suitable weather protection
Comply with	EN 16005

Perfectly balanced

ASSA ABLOY Balance is less vulnerable to severe wind loads, cross-draughts as well as pressure differences. The door is always perfectly balanced despite the lateral pressure and this ensures that it is easily opened even during severe conditions.

Built-in safety, reliability and economy

The balance door is completely suspended in the frame without guide grooves in the floor. This is a method which is functional and safe and at the same time economical in both installation and maintenance. Finger guards between the door leaf and the jamb reduce the risk of accidents. ASSA ABLOY Balance is compliant with international safety standards EN 16005. It can, however, not be installed in places where the majority of the users are elderly people or children as it is not possible to add door mounted sensors.



Design

ASSA ABLOY Balance door system is always tailor-made to suit differing customer requirements, and has a stable and functional construction. The system is pre-fabricated to ensure that all parts are a perfect fit when installed on the site. The door system is delivered complete with jamb, glazed door(s) and operator(s) with arm system(s) PUSH.

Small but strong

The ASSA ABLOY Balance system will be equipped with either the swing door operator SW100 or the even more powerful SW200. The operators have been designed to cope with tough conditions. Strong gusts of wind or intensive traffic flows pose no problems.

Models

ASSA ABLOY Balance-L – Left hand door; a complete unit consisting of jamb/header assembly and door leaf

ASSA ABLOY Balance-R – As ASSA ABLOY Balance-L, but right hand door

ASSA ABLOY Balance-2 – Double doors; a complete unit consisting of jamb/header assembly and door leaves

Standard equipment

Jamb with outer dimensions 45x114mm made from clear anodized aluminium

Door leaves, with 6 or 8mm laminated glass, made from clear anodized aluminium, thickness 48mm

Finger protection rubber extrusion

Swing door operator ASSA ABLOY SW100 or ASSA ABLOY SW200

Sizes

Type	FW min	FW max	FH min	FH max
ASSA ABLOY Balance-L	852	1190	2090	2740
ASSA ABLOY Balance-R	852	1190	2090	2740
ASSA ABLOY Balance-2	1482	2240	2090	2740

Clear opening width (COW) =
FW-190 (ASSA ABLOY Balance-L/R) and
FW-250 (ASSA ABLOY Balance-2)

All dimensions in millimetres

Accessories and Options

Other paint finishes optional

The ASSA ABLOY range of activation units

Programme selectors

Insulated glass, thickness 22 mm

Mechanical hook bolt lock on the door leaf

Electromechanical lock

Espagnolette lock

Flush bolt lock

Midrail (70 or 150mm)

Extended top rail 175mm

Extended bottom rail 201mm

This equipment should be installed, regularly inspected, maintained and serviced by trained and authorized personnel. Preventive maintenance plans are highly recommended for a proper and safe operation. Talk to your ASSA ABLOY Entrance Systems representative to learn more about our service offering!